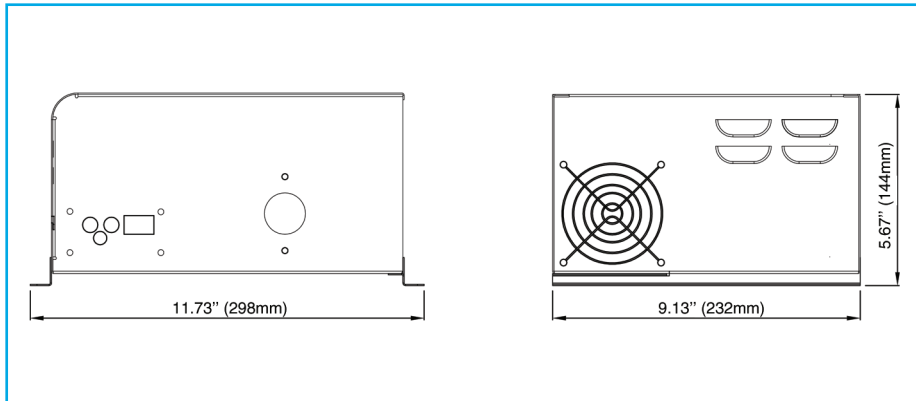


Compact DMX Metal Halide Illuminator



A low profile illuminator which uses a 150W metal halide discharge lamp. Featuring full DMX control through either the front mounted controls or using the inbuilt XLR sockets, can be connected to a standalone DMX controller.

This model has a fast re-lamping feature (the lamp is mounted on a pull-out hatch on the rear) and comes fitted with a color wheel which includes seven colors plus white. Operates from a switched 120V supply to turn unit on and off.

Description	150W
Port connector size	1.18" (30mm) diameter
Fiber type	Glass/Polymer
Supply voltage	120 VAC 60Hz
Lamp power	150W
Input power	180VA @ 110VAC
Start up current	0.3A (120v)
Running current	0.75A (120V)
Min. ambient temperature	-20°C
Max. ambient temperature	40°C
Thermal protection	Thermal switch
Ballast type	Electronic
Fan type (polymer fiber)	Papst 8550N
Fan type (glass fiber)	Papst 8880N
Main fuse	4 Amp
Lamp type	Metal halide
Lamp model	Philips CDM-SA/T or CDM
Lamp life	c 9000h/c 12000h
Lamp color temperature	4200K(SA/T)/3000k(CDM)
Lamp CRI	92 (SA-T) / 88(CDM)
Control options	DMX, standalone, master/slave
DMX channels	1
Protocol	DMX 512
Color wheel	Seven colors plus white
Standard colors	Green, blue, yellow, magenta, jade, cyan, orange
Acoustic rating (polymer fiber)	38.0 dB(A)
Acoustic rating (glass fiber)	23.0 dB(A)
Operating environment	Indoor / dry
Protection rating	IP20
Material/Color	Sheet steel / Black
Size/Weight	11.73"x 9.13"x 5.67" / 9.7lb

