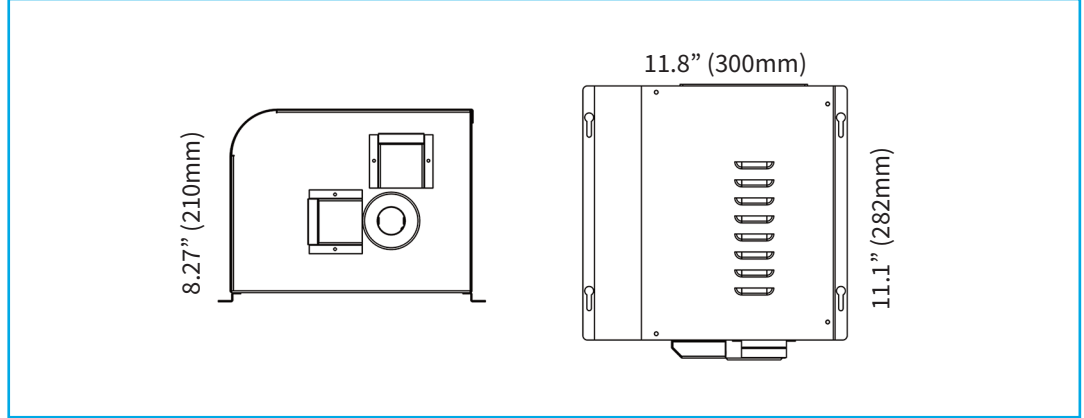


## Compact DMX Plus



A DMX illuminator which uses either a 70W or 150W metal halide discharge lamp.

Featuring full DMX control through either the rear mounted controls or using the inbuilt XLR sockets can be connected to a standalone DMX controller.

This model has a faster-lamping feature (the lamp is mounted on a pull-out hatch on the rear) and comes fitted with a twinkle wheel, dimmer wheel and color wheel which includes nine colors plus white. Operates from a switched 120V supply to turn unit on and off.

Description	
Port connector size	30mm Diameter
Fiber type	Glass & PMMA
Supply Voltage	120VAC 60 Hz
Lamp Power	150W or 70W
Start up current	(150W) 0.85A @ 120VAC   (70W) 0.51A @ 120VAC
Running current	(150W) 1.54A @ 120VAC   (70W) 0.91A @ 120VAC
Min/Max Ambient Temp	-20°C/+40°C
Thermal Protection	Self reset thermal switch
Ballast type	Electronic
Fan type	Sunon SP101A & Papst 8800N
Mains fuse	6.3 Amp
Lamp Type	Metal Halide
Lamp Models	Philips CDM-SA-T 150W/942 (150W, 4200K) Philips CDM-T 150W/830 (150W, 3000K) Philips CDM-T 70W/942 (150W, 4200K) Philips CDM-T 70W/830 (150W, 3000K)
Lamp Life	c. 12000h (CDM-T) c. 9000h (CDM-SA-T)
Color Temp °K	4200K and 3000K options
Lamp CRI	95 - Philips CDM-SA-T 150W/942 88 - Philips CDM-T 150W/830 92 - Philips CDM-T 70W/942 84 - Philips CDM-T 70W/830
Color Wheel	9 colors plus white
Standard colors	Blue, green, yellow, red, pink, orange, violet, magenta, apricot
Acoustic Rating	47.5dB(A)
Operation environment	Indoor/dry
Protection rating	IP20
Material / color	Sheet steel / Black powder coated
Size/ Weight	L 11.1" x W 11.8" x H 8.27" / 16.89lbs

