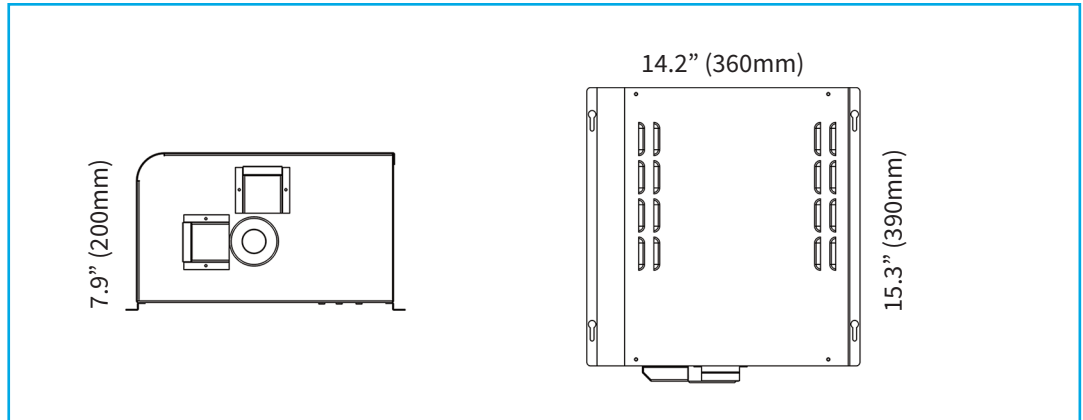


250W Compact DMX Plus



A DMX controlled illuminator which uses a 250W metal halide discharge lamp.

Featuring full DMX control through either the rear mounted controls or using the inbuilt XLR sockets, can be connected to a standalone DMX controller.

This model has a faster-lamping feature (the lamp is mounted on a pull-out hatch on the rear) and comes fitted with a twinkle wheel, dimmer wheel and color wheel which includes seven colors plus white. Operates from a switched 120V supply to turn unit on and off.

Description	
Port connector size	1.18" (30mm) Diameter
Fiber type	Glass & PMMA
Supply Voltage	120VAC 60 Hz
Lamp Power	250W
Input Power	360VA @ 120VAC
Start up current	11A @ 120VAC
Running current	5A @ 120VAC
Min/Max Ambient Temp	-20°C/+40°C
Thermal Protection	Self reset thermal switch
Ballast type	Magnetic
Fan type	Sunon SP101A & Papst 8800N
Mains fuse	6.3 Amp
Lamp Type	Metal Halide
Lamp Models	Philips MSD250/2 (Glass) BLV MHR 250N (PMMA)
Lamp Life	c. 3000h (Glass) c. 5000h (PMMA)
Color Temp °K	8500K (Glass) 4200K (PMMA)
Lamp CRI	70 (Glass) 72 (PMMA)
Color Wheel	9 colors plus white
Standard colors	Blue, green, yellow, red, pink, orange, violet, magenta, apricot
Acoustic Rating	47.5dB(A)
Operating environment	Indoor/dry
Protection rating	IP20
Material / color	Sheet steel / Black powder coated
Size	L 15.3" (390mm) x W 14.2" (360mm) x H 7.9" (200mm))
Weight	36.77lb (16.68kg)

