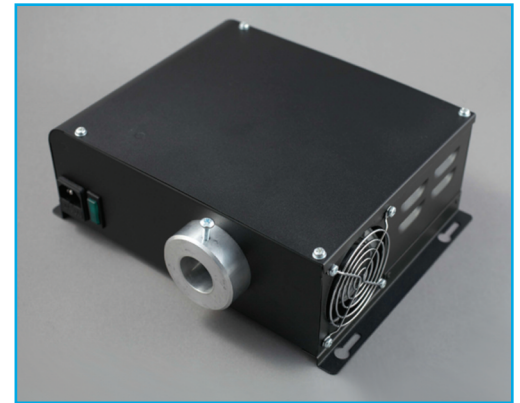
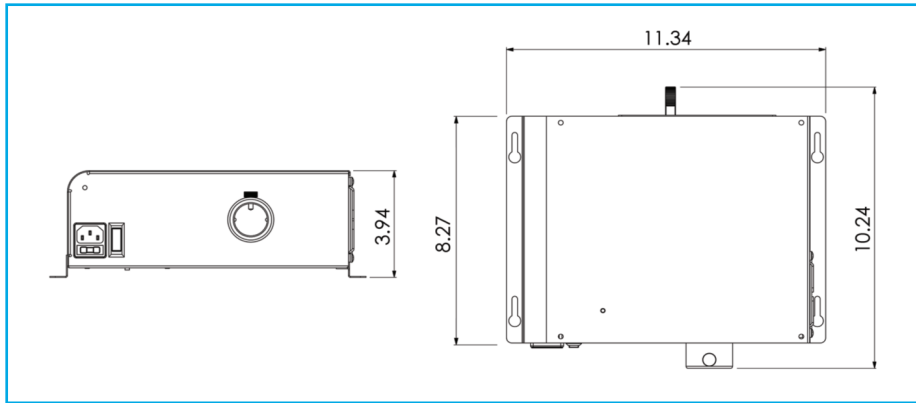


Compact White Light Metal Halide Lightsource



A low profile light source which uses either a 70W or a 150W metal halide discharge lamp to give much greater brightness than those powered by halogen lamps.

This model has a fast re-lamping feature (the lamp is mounted on a pull-out hatch on the rear) and outputs white light only although an optional color filter can be fitted.

Description	70W	150W
Port connector size	1.18" (30mm) diameter	1.18" (30mm) diameter
Fiber type	Glass/Polymer	Glass/Polymer
Supply voltage	120VAC 60 Hz	120VAC 60 Hz
Lamp power	70W	150W
Input power	120VA @ 120VAC	180VA @ 120VAC
Start up current	0.39A (120V)	0.7A (120V)
Running current	0.73A (120V)	1.5A (120V)
Min. ambient temperature	-20°C	-20°C
Max. ambient temperature	40°C	40°C
Thermal protection	Thermal switch	Thermal switch
Main fuse	4 Amp	4 Amp
Power cord	IEC mains cable	IEC mains cable
Ballast type	Electronic	Electronic
Fan type (polymer fiber)	Papst 8550N	Papst 8550N
Fan type (glass fiber)	Papst 8880N	Papst 8880N
Fan type (120V models)	Papst 8800N (polymer fiber) Papst 8830N (glass fiber)	Papst 8800N (polymer fiber) Papst 8830N (glass fiber)
Lamp type	Metal halide	Metal halide
Lamp model	Philips CDM-T or CDM	Philips CDM-SA/T or CDM
Lamp life	c. 12000h	c 9000h / c 12000h
Lamp color temperature	4200K(CDM-T)/3000k(CDM)	4200K(SA/T)/3000k(CDM)
Lamp CRI	992 (CDM-T) / 84 (CDM)	95 (SA-T) / 84(CDM)
Acoustic rating (Polymer fiber)	38.0 dB(A)	38.0 dB(A)
Acoustic rating (Glass fiber)	23.0 dB(A)	23.0 dB(A)
Operating environment	Indoor / dry	Indoor / dry
Protection rating	IP20	IP20
Material/Color	Sheet steel / Black	Sheet steel / Black
Size/Weight	11.34" x 10.24" x 3.94" / 7.05lb	11.34" x 10.24" x 3.94" / 7.05lb

