

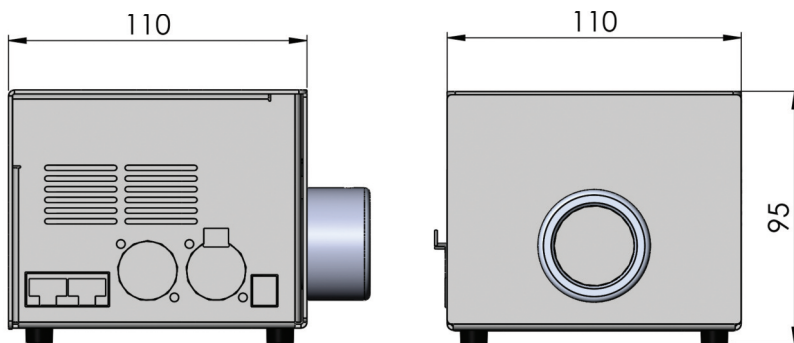
The Cube from UFO - the perfect combination of form and functionality

Offering very bright light output from its 35W RGBW LED array, the tiny Cube illuminator for lighting fiber optics packs an amazingly powerful punch for something so small.

Control can be either via the top mounted buttons, the supplied RF remote control unit or via the built in DMX ports which can be connected to a standard DMX controller.

With a standard 30mm fiber port connector, this illuminator is equally suited to new projects or for retro-fitting to existing fiber optic installations.

Cube DMX Light Source



Dimensions in mm

Description	
Port connector size	30mm
Fiber type	Glass / PMMA
PSU output	24V DC, 0.75A 18W Max.
Supply voltage	100-240V AC 47-63Hz
LED type / model	RGBW / Innovate UNO Plus 35W
LED power	35W
Mains running current	0.3A Max.
Power cord	Standard IEC
PSU type	Desktop LPS/Class 2 with IEC mains power cord
LED life	50,000 hours
DMX	User addressable (0-255)
Fan	60mm heatsink mount
Control functionality	Manual / RF remote (2.4Ghz) / DMX
Operating environment	Indoor / dry
Min ambient temperature	-10°C (14°F)
Max ambient temperature	40°C (104°F)
Acoustic rating	20dB
Material	Aluminum
Color	Grey powder coat
Dimensions	110mm (L) x 110mm (W) x 95mm (H) 4.33" (L) x 4.33" (W) x 3.74" (H)
Weight	0.6KG (1.32 lb)

