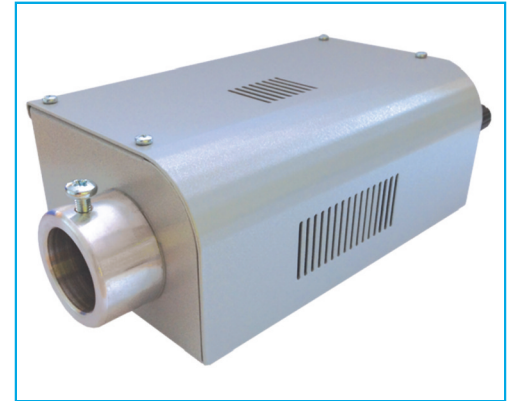
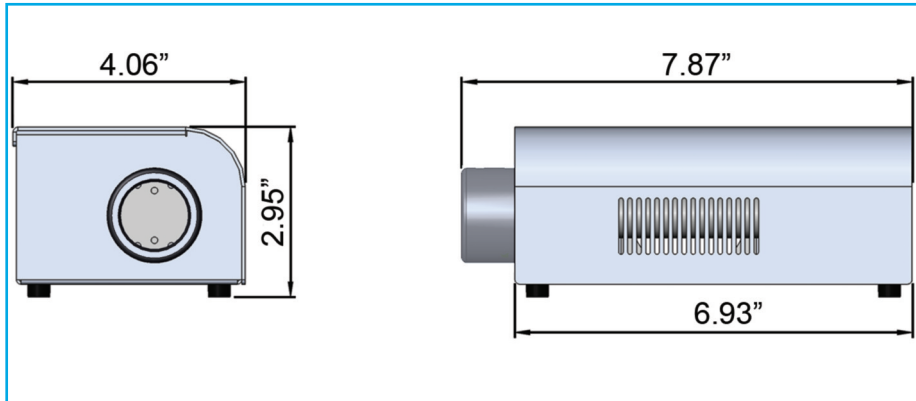


Mercury Slimline



The UFO Mercury is a powerful, yet efficient fiber optic illuminator, powered by LED technology.

Powerful light output combined with cool and near silent operation make this unit the obvious choice for illuminating exhibits in museums, galleries and exhibitions.

With a 50,000 hour lamp life, and cool quiet running, maintenance costs are reduced to almost nil. Maximum flexibility is ensured with optional DMX control, in-built 0-10V dimming system and DALI control.

Fitted with a standard 30mm fiber port connector, this illuminator is suitable for both new installations and retro-fitting to existing fiber optic installations.

Description	
Port connector size	1.18" (30mm) Diameter
Fiber type	Glass/PMMA
Mains Supply Voltage	100-240V AC, 50-60 Hz. 1.8A
PSU output	36V DC, 1.66A, 60W Maximum
LED power	44W
Min Ambient Temperature	14°F
Max Ambient Temperature	104°F
CRI	>90
Fan	60mm 12V Crossflow
Thermal protection	Thermal cut out switch 140°F
LED type / model	White light
DMX	User addressable 1 channel dimming (0-255)
0-10V control	0-10V DC receiving
LED Life	50,000 hours in ambient 77°F
Equivalent TH light output	90W
Colour Temperature °K	3050°K or 2700°K
Acoustic rating	20dB
Material	Aluminum
Color	Silver
Size	L: 6.93" (176mm) x W: 4.06" (103mm) x H: 2.95" (75mm)

