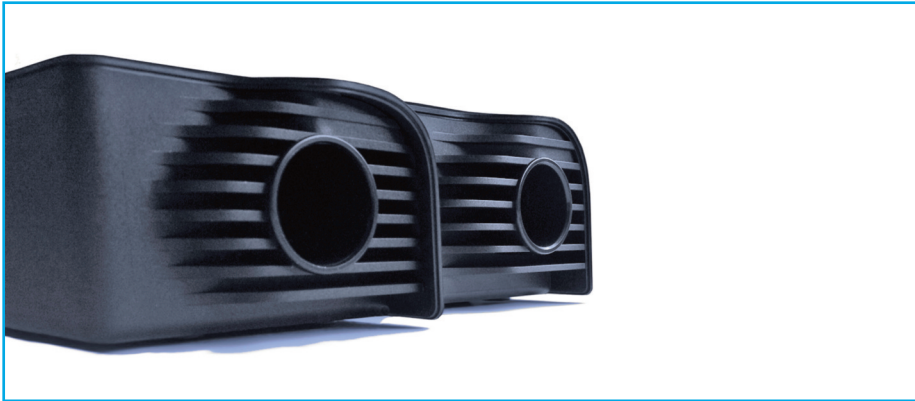


## MicroLED 1000P Illuminator



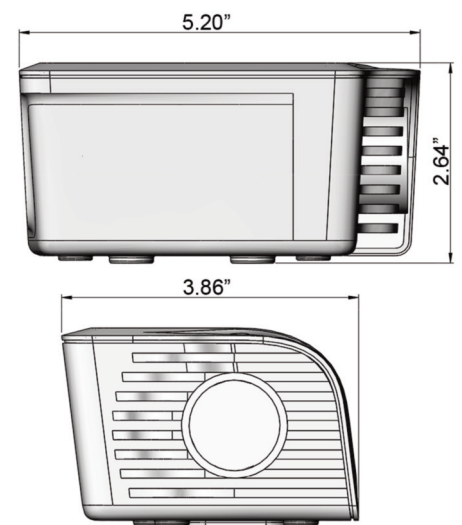
The UFO MicroLED 1000P is a powerful, yet efficient fiber optic illuminator, powered by LED technology.

Manufactured from durable ABS, this unit is available in a choice of 3 colors- black, white or silver.

This LED illuminator offers complete two-button control over light output, with the ability to stop on the four main colors (white, red, green and blue). It also allows color cycling at a choice of three speeds through six colors; red, yellow, green, cyan, blue and violet or through the range of seven colors; red, yellow, green, cyan, blue, violet and white.

Suitable for use in multiple applications, including:

- Sensory harnesses & systems
- Color change downlight systems
- Color change sparkle ceiling
- Fiber optic sideglow illumination



Description	
Port connector size	1.18" (30mm) diameter
Fiber type	Glass / PMMA
Max no. of fiber tails	900 x 0.75mm
Supply voltage	110VAC 60Hz / 230 VAC 50 Hz
Power supply	External 12V PSU
Power consumption	2-5W in color cycle mode
Min. ambient temperature	14°F (-10°C)
Max. ambient temperature	113°F (45°C)
Operating environment	Indoor / Dry
Material	ABS
Color	Black / White / Silver
Size	L: 5.20" (132mm) x W: 3.86" (98mm) x H: 2.64" (67mm)
Order Code	MICROLED-1000P-B / MICROLED-1000P-W / MICROLED-1000P-S



Like all our range, this illuminator is undergoing constant improvements and upgrades, so we reserve the right to alter specifications as required.

