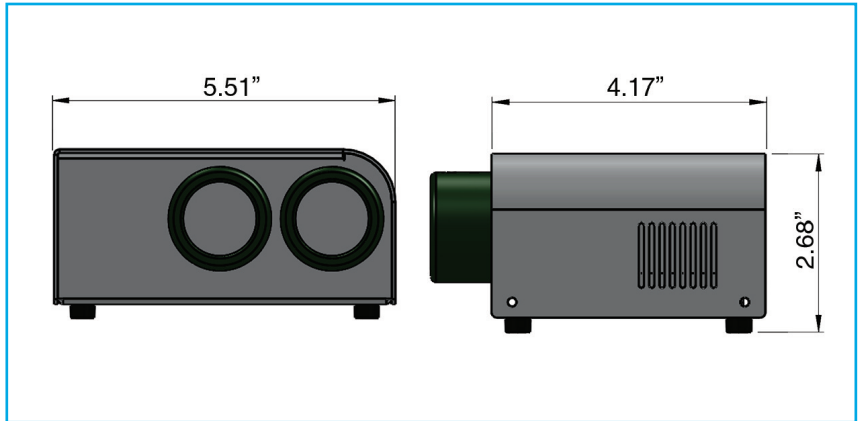


MicroLED 4000x2 LED Illuminator



The UFO MicroLED 4000x2 is a powerful, yet efficient fiber optic illuminator, powered by LED technology and controlled by an advanced RF remote control which features a multi-color touch wheel allowing you to instantly switch to almost any color imaginable. Featuring twin fiber ports to illuminate 2 fiber harnesses from one unit.

The illuminator remote control also gives the ability to start and stop color cycling on any color. It also features DMX synchronisation and the ability to control more than one unit with the same remote control. Twin fiber ports allow for two harnesses to be lit at the same time.

Suitable for use in multiple applications, including:

- Sensory harnesses & systems
- Color change downlight systems
- Color change sparkle ceilings
- Fiber optic sideglow illumination

| Description | Details |
|---|--|
| Port connector size | 2 x 1.18" (30mm) |
| Fiber type | Glass/PMMA |
| Supply voltage | 100-240V AC, 47- 63 Hz.0.58A |
| PSU Output | External 12V PSU |
| LED Power | 2 - 5W in color cycle mode |
| Min Ambient Temperature | -10°C |
| Max Ambient Temperature | +45°C |
| LED Type / Model | RGBW |
| LED Life | 50,000 hours in ambient 25°C |
| Material | Aluminum |
| Color | Anodised silver |
| Size | L: 4.17" (106mm) x W: 5.51" (140mm) H: 2.68" (68mm) |
| Weight (including PSU and remote control) | 0.86kg |



RF remote control unit which eliminates the need for an Infra-red eye.

Like all our range, this illuminator is undergoing constant improvements and upgrades, so we reserve the right to alter specifications as required.

