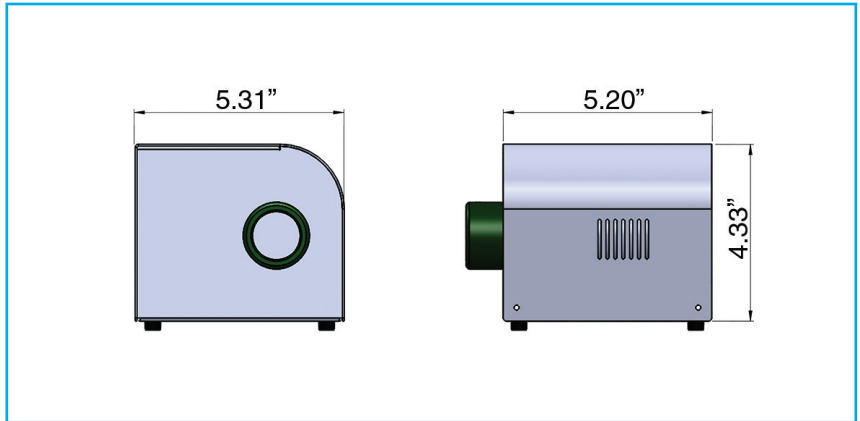


MicroLED 5000T LED Illuminator



The UFO MicroLED 5000T is a powerful, yet efficient fiber optic illuminator which features inbuilt DMX control over color output and twinkling effects.

Powered by LED technology, the unit allows color output to be selected either by using the switches on the box body, or by using a standalone DMX controller.

The in-built twinkle wheel can also be operated by a standard DMX controller or can be switched on and off from a switch on the illuminator body.

Description	
Port connector size	1.18" (30mm)
Fiber type	Glass / PMMA
Mains supply voltage	100-240VAC 47-63 Hz 0.58A
PSU output	12VDC , 2A, 24W Max.
LED power	2-5W in color cycle mode
Min. ambient temperature	-10°C
Max. ambient temperature	45°C
LED type/model	RGBW
LED life	50,000 hours in ambient 25°C
Motor	12VDC stepper motor
Material	Aluminum
Color	Grey
Size	L: 5.31" (132mm) x W: 5.31" (135mm) x H: 4.33" (110mm)

Like all our range, this illuminator is undergoing constant improvements and upgrades, so we reserve the right to alter specifications as required.

