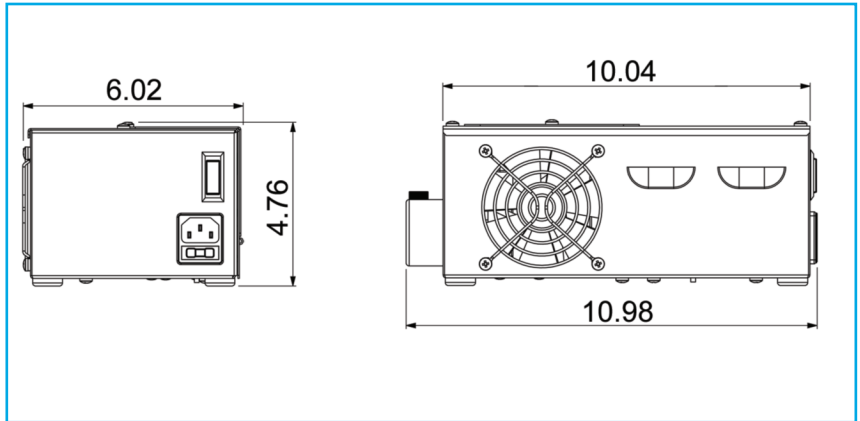


## Triton Tungsten Halogen Illuminator



**Designed especially for the North American market, the Triton tungsten halogen illuminator operates at 120VAC as standard and is fully UL approved.**

Available in both white light only and decorative models, the latter is factory fitted with a 6 color dichroic color wheel which rotates continuously at 1.5rpm. The wheel is removable by the end user if required.

The Triton is available with a choice of 2 lamp sizes - 75W and 100W.

Description	75W	100W
Port connector size	1.18" (30mm) diameter	1.18" (30mm) diameter
Fiber type	Glass/PMMA	Glass/PMMA
Supply voltage	120 VAC 60 Hz	120 VAC 60 Hz
Lamp power	75W	100W
Input power @ 120VAC	82.5VA	100VA
Running current @ 120VAC	0.75A	1A
Min. ambient temperature	-20°C	-20°C
Max. ambient temperature	40°C	40°C
Thermal protection	Self reset thermal switch	Self reset thermal switch
Main fuse	2 Amp	2 Amp
Power cord	IEC line cable	IEC line cable
Fan type	80mm crossflow	80mm crossflow
Lamp type	Tungsten Halogen	Tungsten Halogen
Lamp model	EYF	Osram 64637
Lamp color temperature	3000K	3000K
Acoustic rating	33.0 dB(A) (white light) 31.0 dB(A) (decorative)	33.0 dB(A) (white light) 31.0 dB(A) (decorative)
Operating environment	Indoor / dry	Indoor / dry
Protection rating	IP20	IP20
Material	Sheet steel	Sheet steel
Color	Black	Black
Size	10.98" x 6.02" x 4.76"	10.98" x 6.02" x 4.76"
Weight	8.16lb (3.7kg)	8.16lb (3.7kg)

