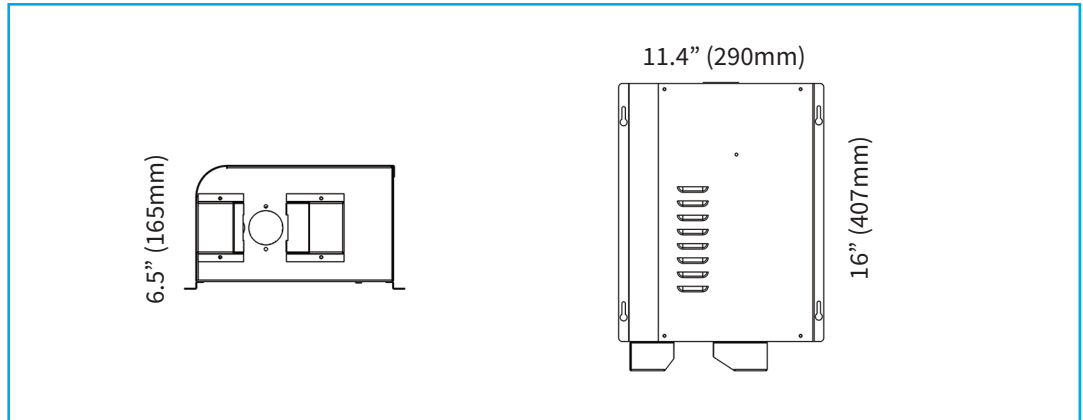


## Ultima Illuminator



A high performance 250W metal halide light source for the ultimate brightness. Suitable for decorative applications where high output is necessary.

The Ultima can be used with either glass or PMMA fiber. Featuring very high output, this unit is not suitable for use in conservation applications such as enclosed display cases. Can be supplied in white light or decorative models with in-built color and/or twinkle wheel or dimmer wheel.

Description	
Port connector size	1.18" (30mm) Diameter
Fiber type	Glass & PMMA
Supply Voltage	120VAC 60 Hz
Lamp Power	250w
Input Current	360VA @ 120VAC
Start up current	11A @ 120VAC
Running current	5A @ 120VAC
Min/Max Ambient Temp	-20°C/+40°C
Thermal Protection	Self reset thermal switch
Ballast type	Magnetic
Fan type	Sunon SP101A & Papst 8800N
Mains fuse	6.3 Amp
Lamp Type	Metal Halide
Lamp Models	Philips MSD250/2 (Glass) BLV MHR 250N (PMMA)
Lamp Life	c. 3000h (Glass) c. 5000h (PMMA)
Color Temp °K	8500K (Glass) 4200K (PMMA)
Lamp CRI	70 (Glass) 72 (PMMA)
Color Wheel	5 colors plus white
Standard colors	Green, blue, yellow, purple, orange
Acoustic Rating	47.5dB(A)
Operating environment	Indoor/dry
Protection rating	IP20
Material / color	Sheet steel / Black powder coated
Size	L 16" (407mm) x W 11.4" (290mm) x H 6.5" (165 mm)
Weight	30.5lb (13.84kg)

